

## Sink KE Vintage

Kitchen Sinks

Code: 2265 080



### DETAILS

Edge/Installation Type	Flush-mount   Top-mount
Material	AISI 304 stainless steel
Texture	Vintage
Base	60 cm
Dimensions	560x520 mm
Standard fittings	Fixing hooks, gasket, drain, overflow and siphon, boxed packing
Mixer holes	2 standard holes
Built-in hole	View technical data sheet
Drainer	No

Width 56 cm

---

Bowl dimension 500 x 400 mm

---

Number of bowls 1 bowl

---

Waste fitting Drain with automatic PM control

---

## FEATURES

**VINTAGE** The Vintage finish gives the product a long-lived and elegant look, creating a surface that does not fear scratches.

---

**Automatic waste fitting** The waste-fitting with round remote knob is supplied; a practical accessory which makes it unnecessary to get wet in order to drain the water from the bowl.

---

**Basket 3,5" waste fitting** The drain is equipped with a large 3.5" drain, with the practical basket cap that prevents the discharge of solid parts.

---

**Deep bowls** This bowls reach an important depth, over 20 cm, thanks to the advanced production technology, that can be offer great capiciency and praticity in all the washing operations.

---

**Double mixer hole** The large tap counter is already fitted with a series of 2 tap holes. In the second hole it is possible to install the remote control of the automatic drain or, alternatively, a practical soap dispenser.

---

**High thickness** 1mm thick steel. A significant thickness, which guarantees the maximum sturdiness and durability.

---

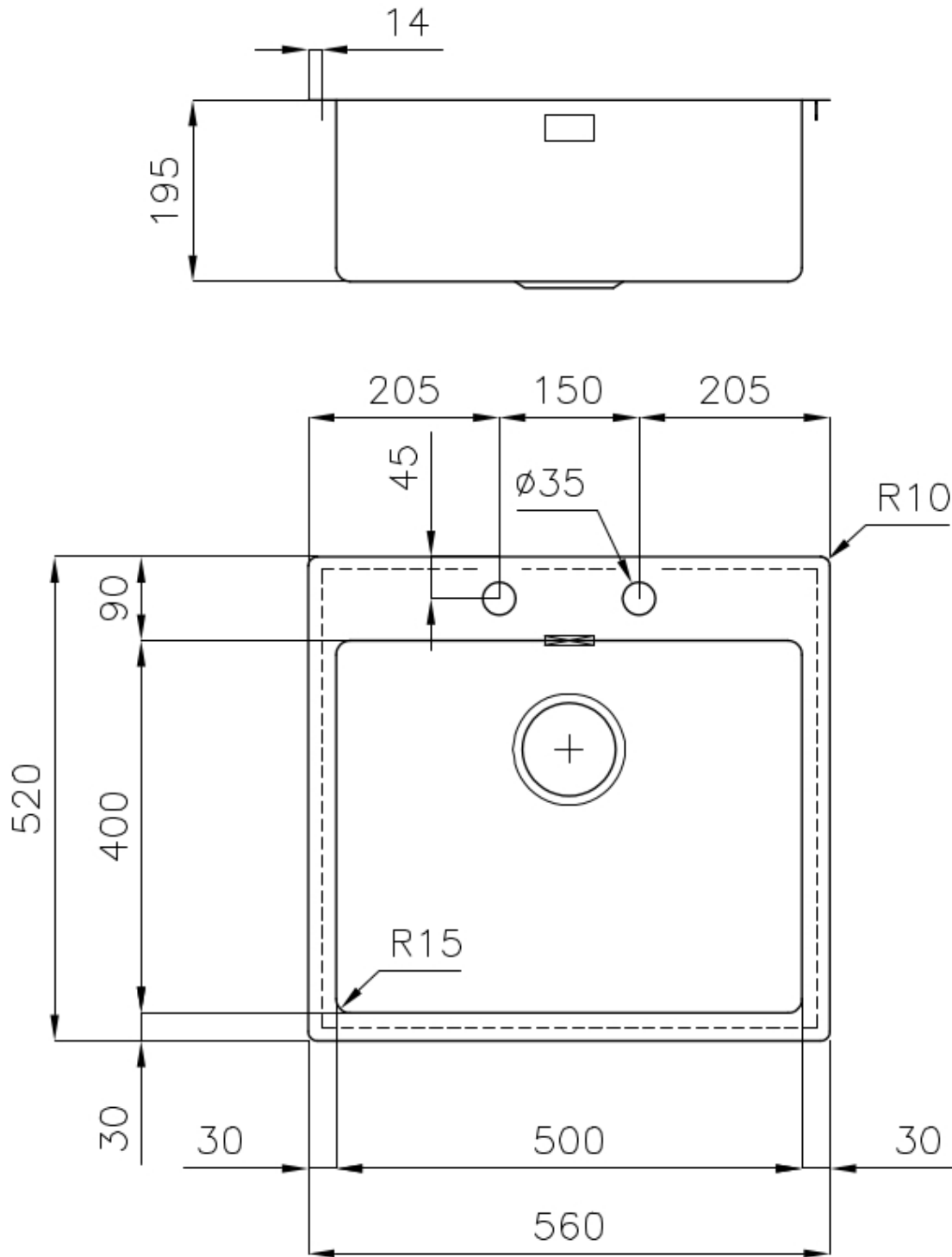
**Perimetral overflow** The overflow is always a security on the Foster sinks that prevents the overflow of water in case of oversights. The perimeter drain solution improves aesthetics thanks to its square and essential shape.

---

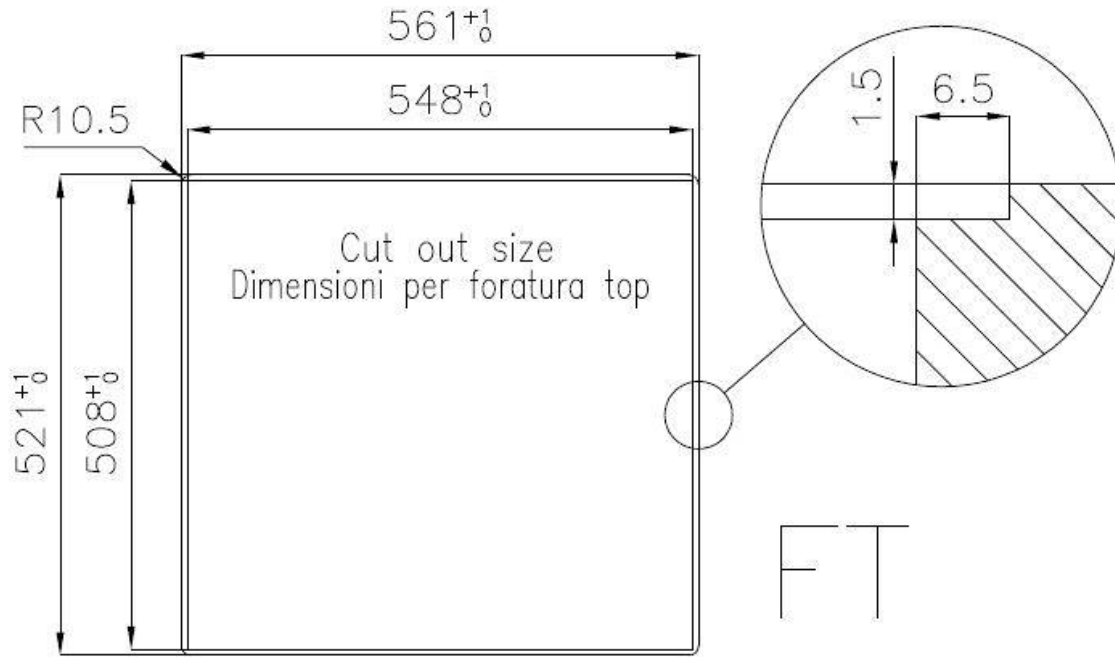
**Small radius** Bowls with squared shapes with a modern design and an increased capacity, for a minimal aesthetics connected with an extreme praticity.

---

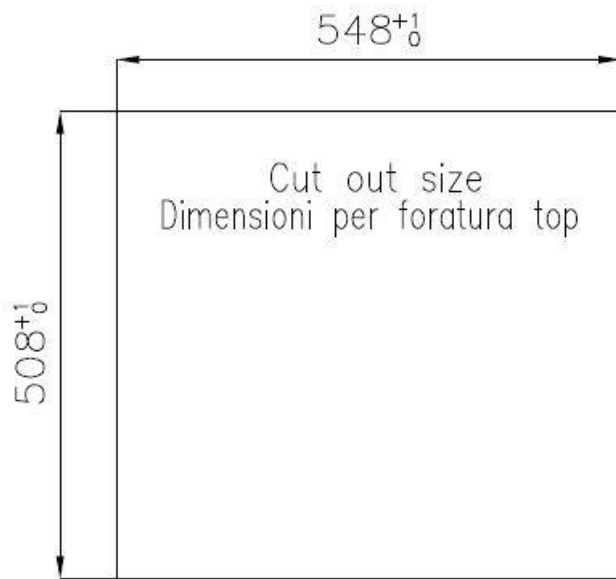
## TECHNICAL DATA



## Lavello serie KE cod. 2265/080



FT



FTS

### GALLERY



## EQUIPMENT



**Automatic waste fitting - PM**  
8407 113

## OPTIONAL ACCESSORIES



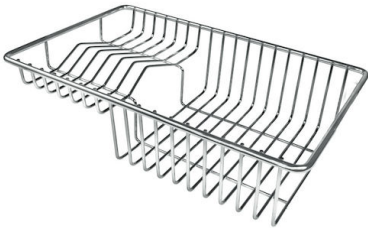
**Glass chopping board**  
8631 300



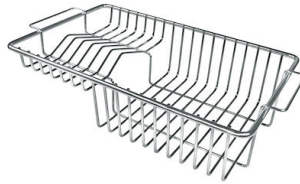
**HDPE Chopping board**  
8657 001



**HPDE Twin chopping board**  
8644 101



**Stainless steel plate rack**  
8100 303



**Stainless steel plate rack**  
8100 201



**White bowl**  
8153 100

\* only in combination with the accessory  
8644 101



**Black grid**  
8100 617

**Black grid**  
8100 652



**Graters kit with ring-holder and food collection tray**

8159 101

\* only in combination with the accessory  
8644 101



**Iroko-wood sliding chopping board with stainless steel colander**

8644 044



**Stainless steel perforated tray**

8151 000

\* only in combination with the accessory  
8644 101

## RECOMMENDED PAIRINGS



**Mixer Tap Bert**  
8428 100



**Mixer Tap KE**  
8492 000